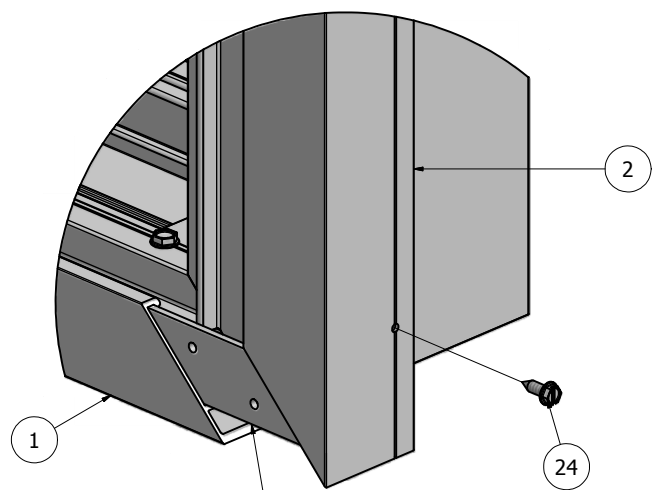
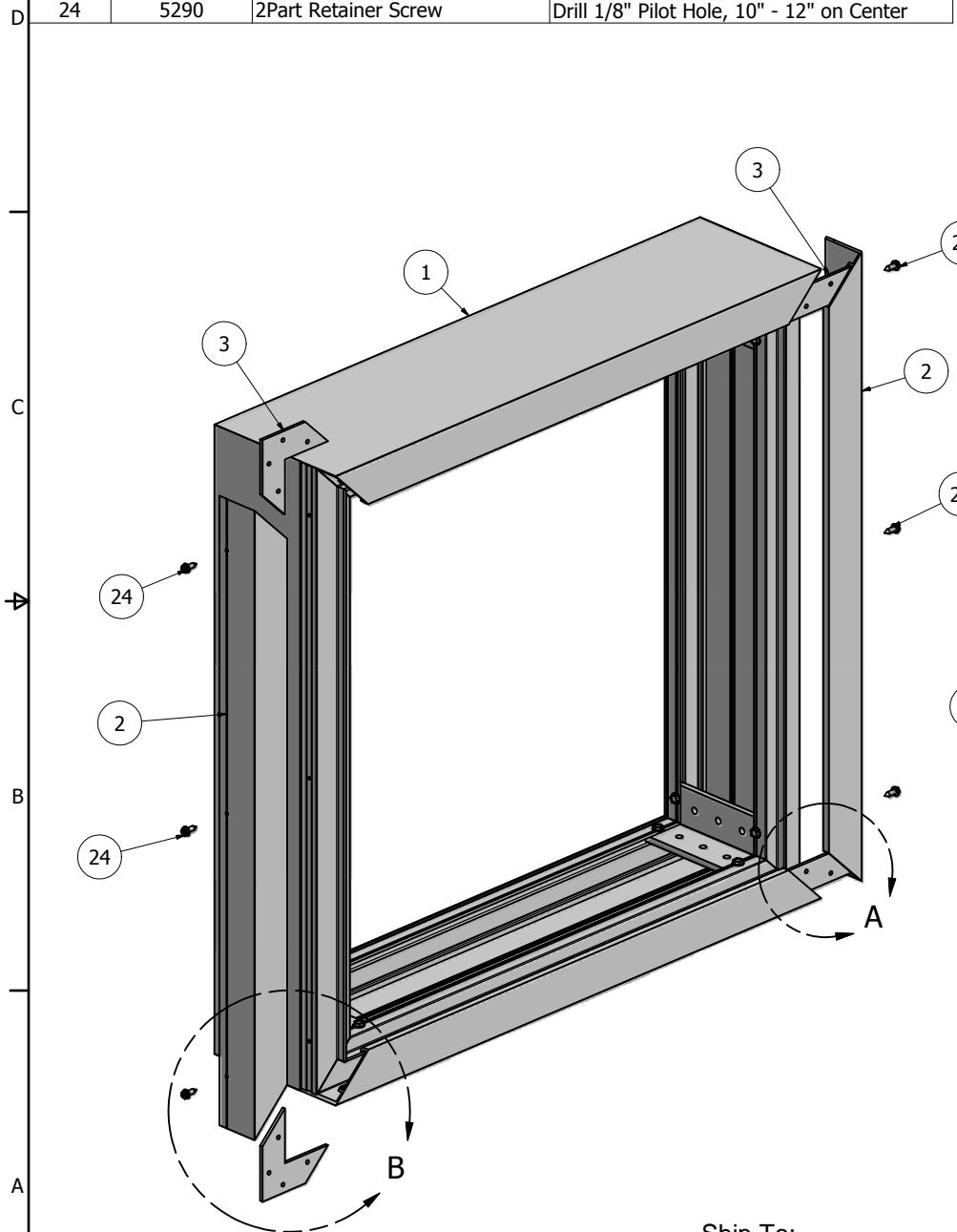
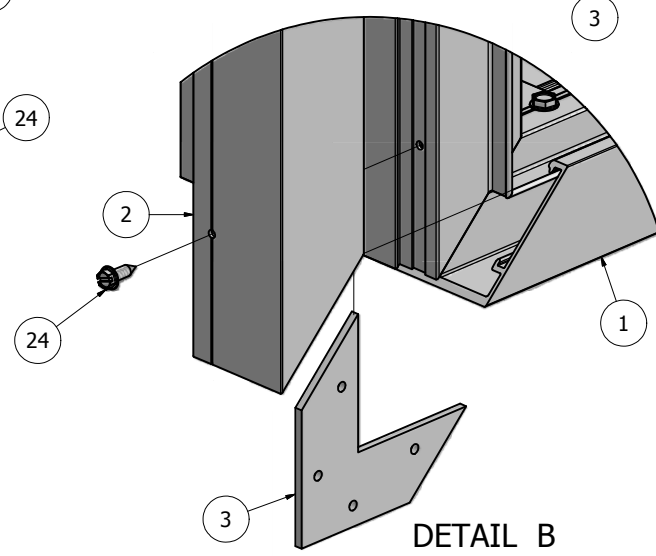


Parts List			
ITEM	PART #	DESCRIPTION	NOTES
1	1921-26BE	1Part 2Part 6" Single Face	Assembly
2	1944	2Part Retainer	
3	5210	Corner Key	
24	5290	2Part Retainer Screw	Drill 1/8" Pilot Hole, 10" - 12" on Center



DETAIL A



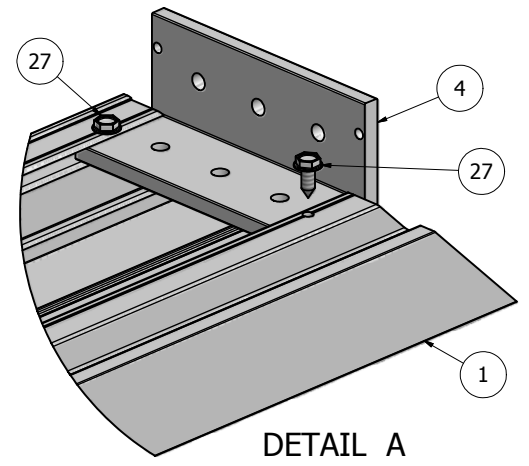
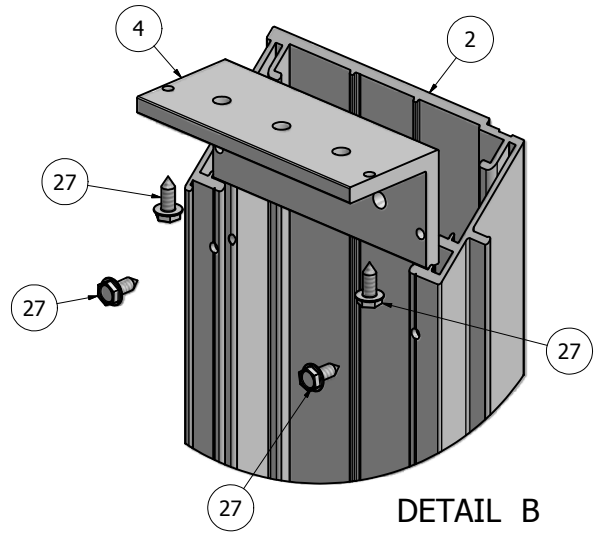
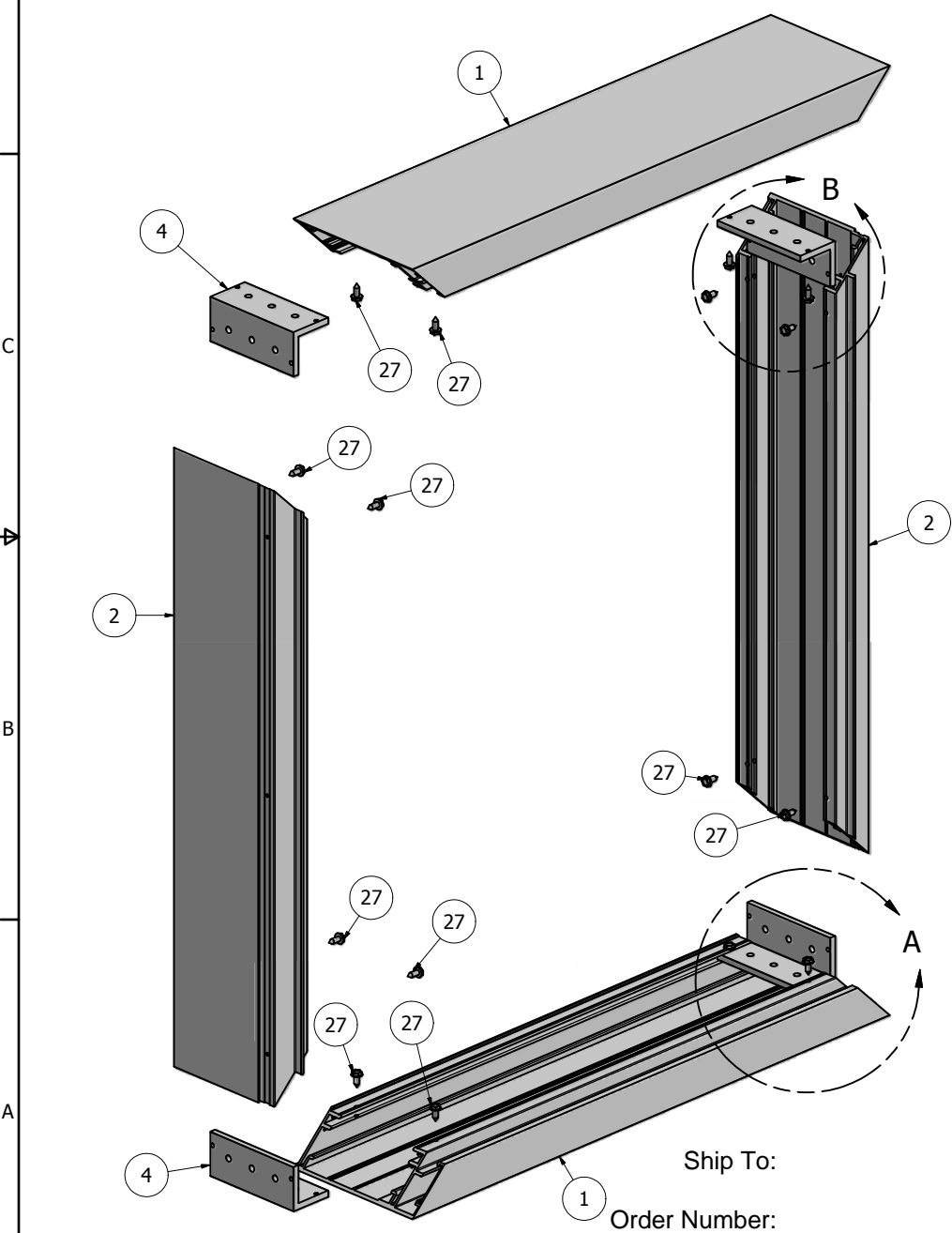
DETAIL B

NOTE: PRE-CUT KITS ARE NOT PRE-DRILLED.
 (Holes shown in this drawing are for reference only.
 Drilling of pilot holes are to be done by fabricator.)

Ship To:
 Order Number:

THIS DRAWING WAS CREATED AT NO CHARGE TO ASSIST YOU IN VISUALIZING OUR PROPOSAL. THE DRAWING HEREIN IS THE PROPERTY OF SIGNCOMP. PERMISSION TO COPY OR REVISE THIS DRAWING OR TO USE THIS DRAWING FOR PRODUCTION IS STRICTLY PROHIBITED AND CAN ONLY BE COPIED, REVISED OR USED FOR PRODUCTION WITH THE EXPRESSED WRITTEN PERMISSION OF SIGNCOMP.				
DRAWN	12/17/2009	SignComp		
CHECKED				
QA				
MFG				
APPROVED		TITLE		
		1Part 2Part 6" Single Face - 2Part Retainer - Assembly		
		SIZE	DWG NO	REV
		C	1921-26-44BE	
		SCALE	SHEET 1 OF 1	

Parts List			
ITEM	PART #	DESCRIPTION	NOTES
1	1921	1Part 6" Single Face Body	Top & Bottom
2	1926	2Part 6" Single Face Body	Sides
4	5981	1Part 2Part 6" Single Face Body Corner Angle	
27	5218	Corner Angle Screw	Drill 2/32" Pilot Hole



NOTE: PRE-CUT KITS ARE NOT PRE-DRILLED.
 (Holes shown in this drawing are for reference only.
 Drilling of pilot holes are to be done by fabricator.)

Ship To:
 Order Number:

THIS DRAWING WAS CREATED AT NO CHARGE TO ASSIST YOU IN VISUALIZING OUR PROPOSAL. THE DRAWING HEREIN IS THE PROPERTY OF SIGNCOMP. PERMISSION TO COPY OR REVISE THIS DRAWING OR TO USE THIS DRAWING FOR PRODUCTION IS STRICTLY PROHIBITED AND CAN ONLY BE COPIED, REVISED OR USED FOR PRODUCTION WITH THE EXPRESSED WRITTEN PERMISSION OF SIGNCOMP.				
DRAWN	12/17/2009	<h1>SignComp</h1>		
CHECKED				
QA				
MFG				
APPROVED				
TITLE		SIZE	DWG NO	REV
1Part 6" Single Face Body - 2Part 6" Single Face Body - Assembly		C	1921-26BE	
		SCALE	SHEET 1 OF 1	